
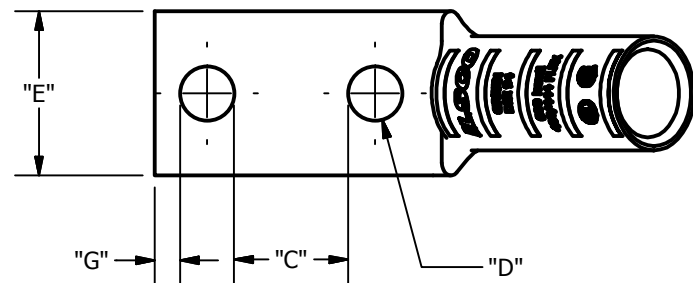
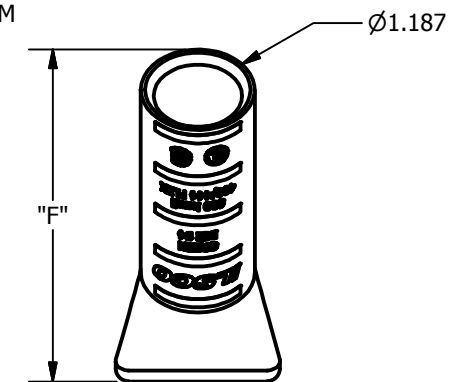
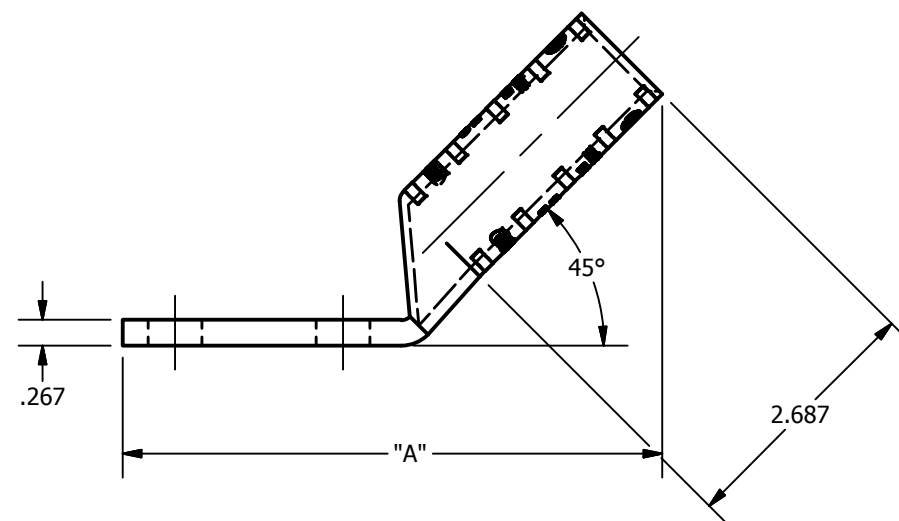


SCREW: NONE	MATERIAL: COPPER	REV: F	 800-776-9775 www.ilSCO.com
CAT. NO.: SEE CHART	PLATING: EL-TIN	DRAWN BY:DW SCALE: NTS	
INFORMATION SHEET:FORM 157	MARKING: SEE CHART	DATE:6/3/2008 SIZE: B	

DWG NO: Y1603-D-4
SHEET: 1 OF 1



DETAIL C
INK MARK TOP & BOTTOM



CATALOG NUMBER	"A"	"C"	"D"	"E"	"F"	"G"	TANG MARKING
CLNB-600-516-58-4	4.325	0.282	0.343	1.712	3.567	0.180	
CLNB-600-516-34-4	4.575	0.407	0.343	1.712	3.567	0.180	
CLNB-600-516-78-4	4.575	0.532	0.343	1.712	3.567	0.180	
CLNB-600-516-1-4	4.825	0.657	0.343	1.712	3.567	0.180	
CLNB-600-516-134-4	5.388	1.407	0.343	1.712	3.567	0.180	
CLNB-600-38-34-4	4.575	0.344	0.406	1.712	3.567	0.211	
CLNB-600-38-78-4	4.825	0.469	0.406	1.712	3.567	0.211	
CLNB-600-38-1-4	4.825	0.594	0.406	1.712	3.567	0.211	
CLNB-600-38-116-4	4.825	0.656	0.406	1.712	3.567	0.211	
CLNB-600-38-118-4	5.013	0.719	0.406	1.712	3.567	0.211	
CLNB-600-38-134-4	5.513	1.344	0.406	1.712	3.567	0.211	ILSCO, CLNB-600-38-134-4, 3/8 X 1-3/4, 600 kcmil, 400/444 FLEX, DIE 94, UL,CSA
CLNB-600-38-2-4	5.888	1.594	0.406	1.712	3.567	0.211	
CLNB-600-12-1-4	5.013	0.438	0.562	1.712	3.567	0.265	
CLNB-600-12-114-4	5.388	0.688	0.562	1.712	3.567	0.265	
CLNB-600-12-112-4	5.513	0.938	0.562	1.712	3.567	0.265	ILSCO, CLNB-600-12-112-4, 1/2 X 1 1/2, 600 kcmil, 400 / 444 FLEX, DIE 94, UL, CSA
CLNB-600-12-134-4	5.888	1.188	0.562	1.712	3.567	0.265	ILSCO, CLNB-600-12-134-4, 1/2 X 1-3/4, 600 kcmil, 400/444 FLEX, DIE 94, UL, CSA
CLNB-600-12-178-4	5.888	1.313	0.562	1.712	3.567	0.265	